

FEATURE

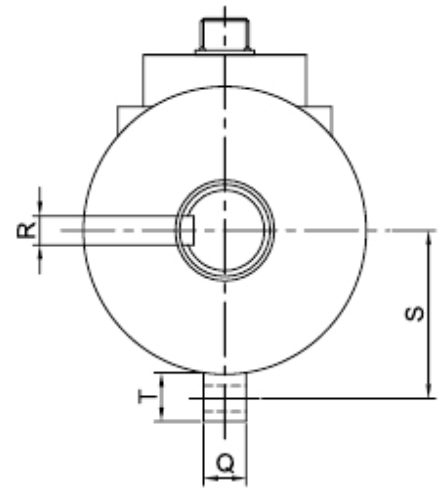
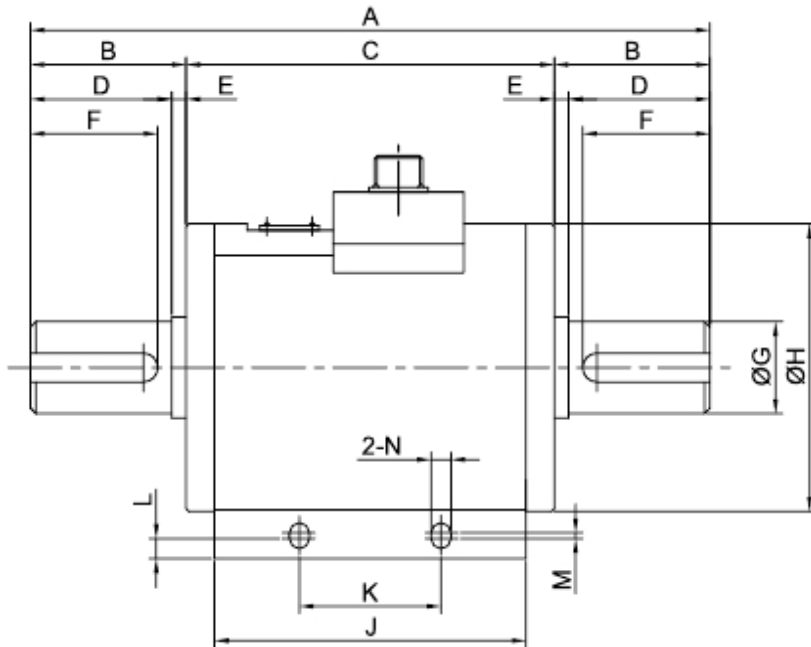
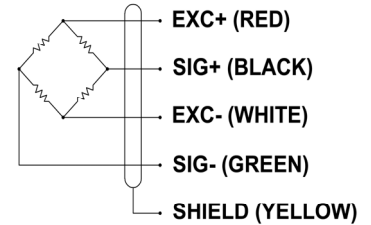
- .샤프트 타입의 회전형 접촉식 토크센서
- .회전하는 기기의 정적, 동적 토크측정 및 RPM(옵션) 측정
- .모터 부하테스트, 볼트 체결력, 감속기, 자동차 부품등의 토크측정
- .고용량 주문제작 가능 : 1000kg'f.m, 2000kgf.m, 3000kgf.m

SPECIFICATION

MODEL	TCR
Rated capacity (R.C.)	1, 2, 5, 10, 20, 50, 100, 200, 300, 500kgf·m
Rated output (R.O.)	1.5 ± 0.4mV/V
Non-linearity	≤ 0.3% R.O.
Hysteresis	≤ 0.3% R.O.
Non-repeatability	≤ 0.3% R.O.
Terminal resistance, input	350Ω ± 1%
Terminal resistance, output	350Ω ± 1%
Insulation resistance	> 1000MΩ@30V DC
Temp. effect on rated output	≤ 0.1% LOAD/10°C
Temp. effect on zero balance	≤ 0.1% R.O./10°C
Temp. range compensated	-10 to +60°C
Excitation Voltage	5V, 10V DC
Safe overload	150% R.C.
Cable	φ7 shield 5m



WIRING INFORMATION



DIMENSION (mm)

Rated Capacity	A	B	C	D	E	F	φG	φH	J	K	L	M	N	Q	R	T	S	R.P.M
1, 2, 5kgf·m	203	43	117	38	5	35	18	84	101	50	7	2	7	15	5x5	17	50.4	4500
10, 20 kgf·m	240	55	130	50	5	45	32	100	110	50	7	2	7	15	10x8	17	58.5	4000
50, 100kgf·m	340	95	150	90	5	85	47	118	130	60	8	2	9	17	12x8	20	69.5	3000
200, 300kgf·m	360	106	148	100	6	95	63	131	128	60	8	2	9	17	18x11	20	76	2900
500kgf·m	430	125	180	115	10	105	73	160	150	70	11	3	10.5	20	20x12	25	92	2000