

FEATURE

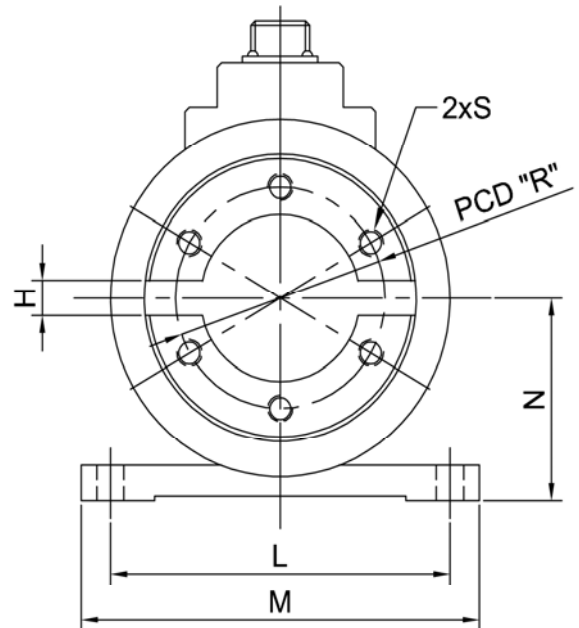
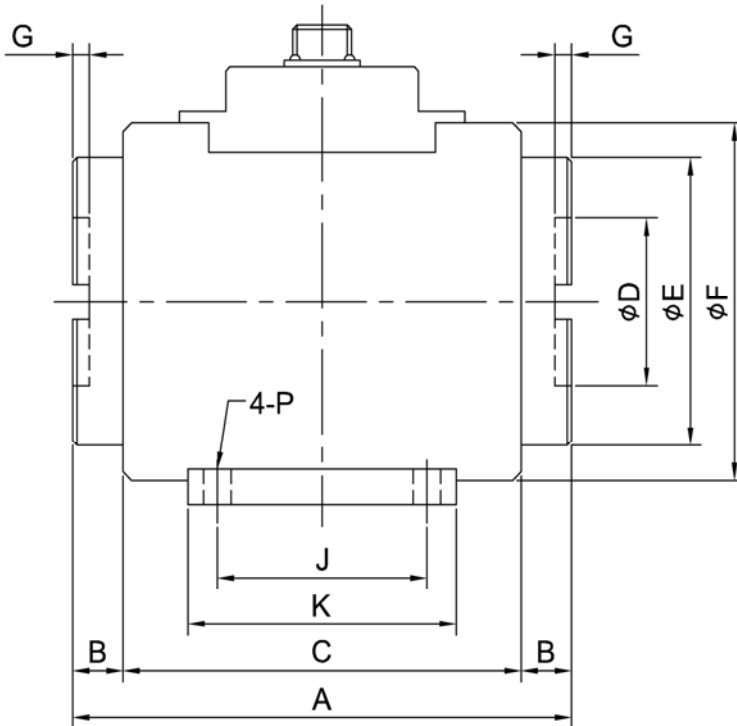
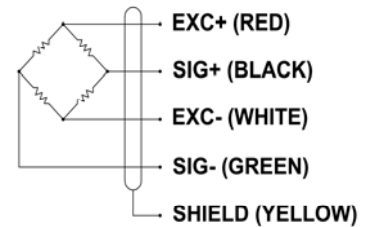
- . 플랜지 타입의 회전식 토크센서
- . 회전 장비의 정적 및 동적 토크 측정
- . 자동차 부품 생산라인의 토크측정, 교반기, 볼트 체결력

SPECIFICATION

| MODEL | TRF |
|------------------------------|------------------|
| Rated capacity (R.C.) | 5, 10, 20kgf·m |
| Rated output (R.O.) | 1.5 ± 0.4mV/V |
| Non-linearity | ≤ 0.3% R.O. |
| Hysteresis | ≤ 0.3% R.O. |
| Non-repeatability | ≤ 0.3% R.O. |
| Terminal resistance, input | 350Ω ± 1% |
| Terminal resistance, output | 350Ω ± 1% |
| Insulation resistance | > 1000MΩ@30V DC |
| Temp. effect on rated output | ≤ 0.1% LOAD/10°C |
| Temp. effect on zero balance | ≤ 0.1% R.O./10°C |
| Temp. range compensated | -10 to +60°C |
| Excitation Voltage | 5V, 10V DC |
| Safe overload | 150 % R.C. |
| Cable | φ4 shield 3m |



WIRING INFORMATION



DIMENSION (mm)

| Rated Capacity | A | B | C | φD | φE | φF | G | H | J | K | L | M | N | φP | φR | S |
|----------------|-----|----|----|----|----|----|-----|---|----|----|----|----|----|-----|----|-----------|
| 5, 10, 20kgf·m | 119 | 12 | 95 | 38 | 65 | 81 | 2.5 | 8 | 50 | 64 | 81 | 95 | 46 | 6.5 | 50 | 6-M6 DP15 |