

# TRFF

## Flange Type Rotary Torque Transducer (20kgf·m)

### FEATURE

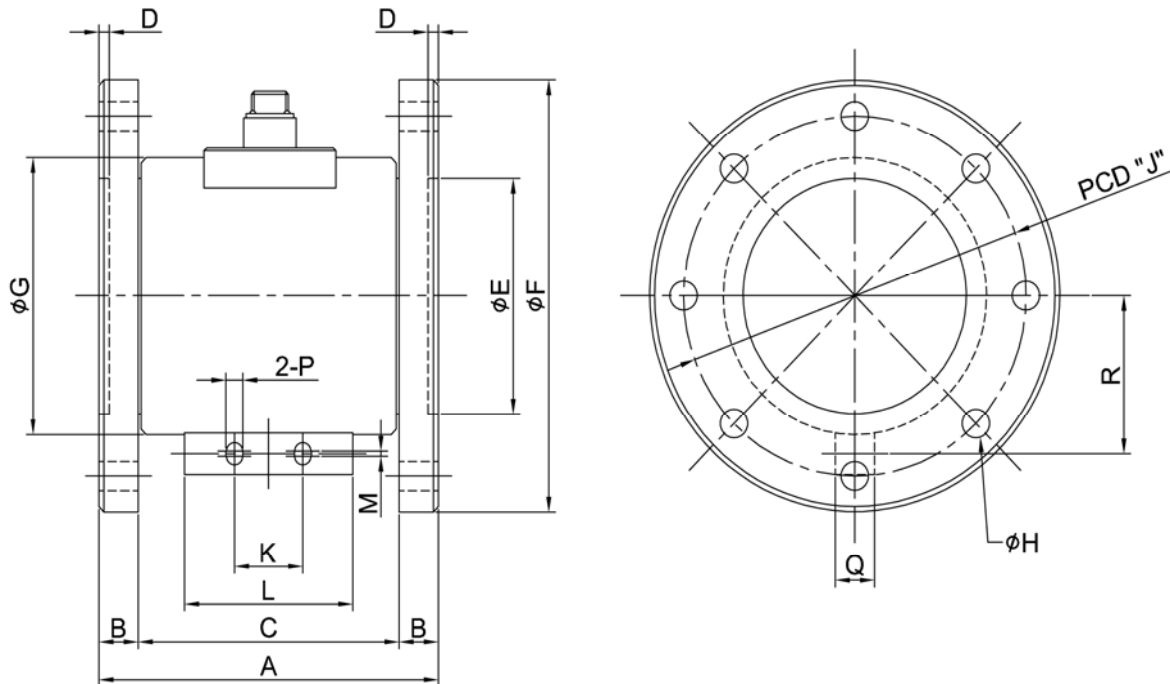
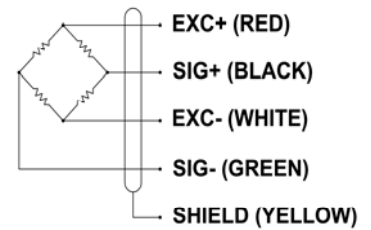
- . 플랜지 타입의 회전형 토크센서
- . 회전하는 기기의 정적, 동적 토크 측정
- . 자동차 부품 생산라인, 교반기, 볼트 체결력 등 토크측정

### SPECIFICATION

MODEL	TRFF
Rated capacity (R.C.)	20kgf·m
Rated output (R.O.)	1.5 ± 0.4mV/V
Non-linearity	≤ 0.3% R.O.
Hysteresis	≤ 0.3% R.O.
Non-repeatability	≤ 0.3% R.O.
Terminal resistance, input	350Ω ± 1%
Terminal resistance, output	350Ω ± 1%
Insulation resistance	> 1000MΩ@30V DC
Temp. effect on rated output	≤ 0.1% LOAD/10°C
Temp. effect on zero balance	≤ 0.1% R.O./10°C
Temp. range compensated	-10 to 60°C
Excitation Voltage	5V, 10V DC
Safe overload	150 % R.C.
Cable	φ4 shield 3m



### WIRING INFORMATION



### DIMENSION (mm)

Rated Capacity	A	B	C	D	φE	φF	φG	φH	J	K	L	M	P	Q	R
20kgf·m	129	15	99	4	65	128	85	6-φ6.6	105	26	64	2	6.5	12	49.5