

FEATURE

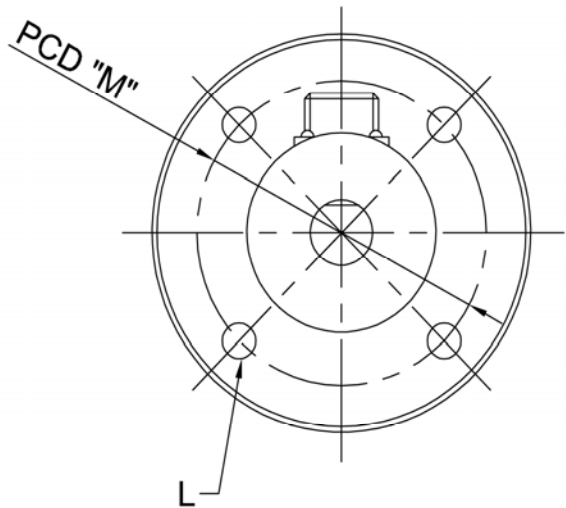
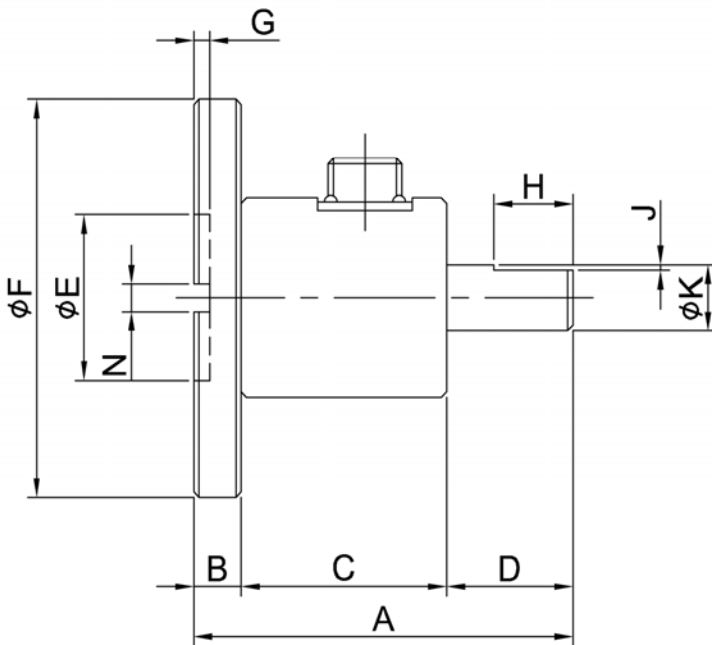
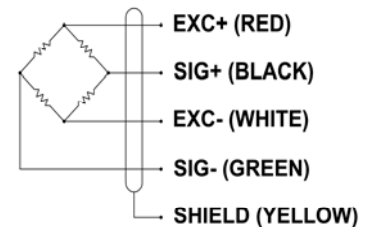
- 플랜지 & 샤프트 타입의 비회전형 토크센서
- 컴팩트한 디자인이며 설치가 간편
- 고정된 기기 또는 0~90도 각도내에서 토크측정
- 제품 파단시험, 감속기, 각종 액츄에이터 토크측정

SPECIFICATION

MODEL	TFS
Rated capacity (R.C.)	50, 100, 200, 500, 1000, 2000 kgf.cm
Rated output (R.O.)	1.5 ± 0.4mV/V
Non-linearity	≤ 0.3% R.O.
Hysteresis	≤ 0.3% R.O.
Non-repeatability	≤ 0.3% R.O.
Terminal resistance, input	350Ω ± 1%
Terminal resistance, output	350Ω ± 1%
Insulation resistance	> 1000MΩ @30V DC
Temp. effect on rated output	≤ 0.1% LOAD/10°C
Temp. effect on zero balance	≤ 0.1% R.O./10°C
Temp. range compensated	-10 to 60°C
Excitation Voltage	5V, 10V DC
Safe overload	150% R.C.
Cable	φ4 shield 3m



WIRING INFORMATION



DIMENSION (mm)

Rated Capacity	A	B	C	D	φE	φF	G	H	J	φK	M	N	L
50 kgf·cm	72	9	39	24	30	72	3	15	1	12	55	5	4-φ6.5
100 kgf·cm	72	9	39	24	30	72	3	15	6 x 6	18	55	5	4-φ6.5
200, 500 kgf·cm	83	12	43	28	40	88	3.5	15	8 x 7	24	70	6	4-φ6.5
1000, 2000 kgf·cm	90	12	46	32	50	95	4	22	10 x 8	32	76	8	4-φ9