

FEATURE

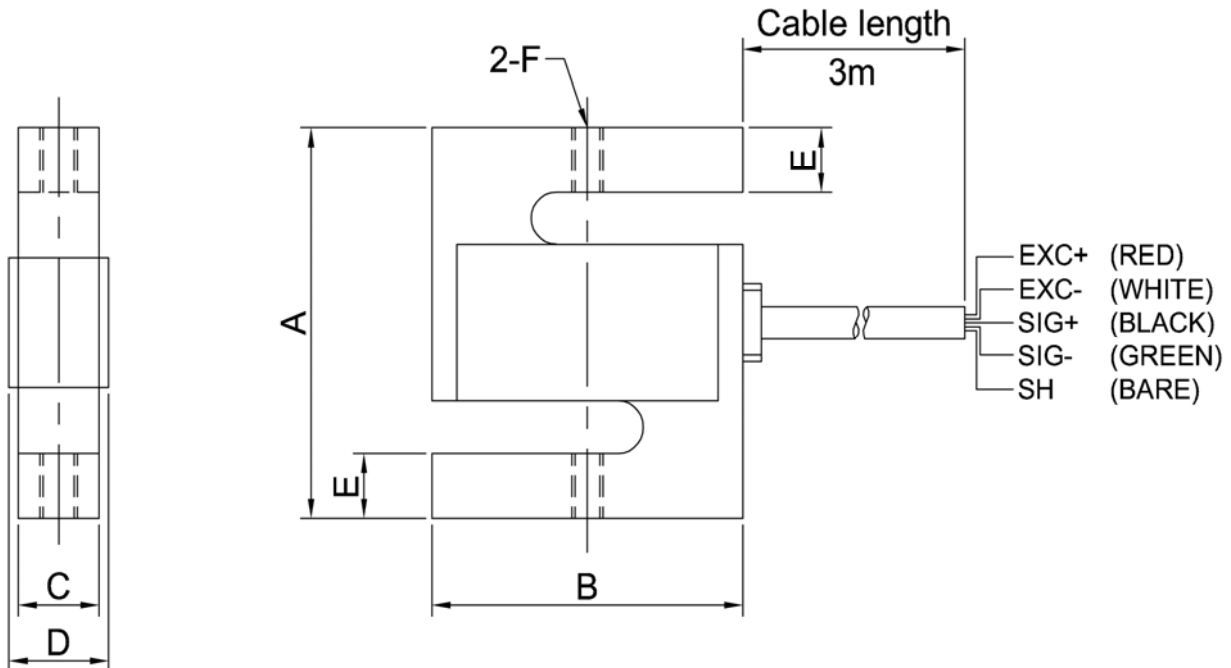
- . 압축 & 인장겸용 S-빔형 로드셀
- . 매달림 계측장비에 최적
- . 방진, 방수등급 : IP66

SPECIFICATION

MODEL	CUU
Rated capacity (R.C.)	2, 5, 10, 20 kgf
Rated output (R.O.)	2.0 mV/V \pm 1% (2,5kgf : 1.5mV)
Zero balance	\pm 2% R.O.
Combined error	0.03% R.O.
Repeatability	0.02% R.O.
Creep for 30 min	0.03% R.O.
Temp. effect on zero value	0.1% / 10 $^{\circ}$ C
Temp. effect on output value	0.05% / 10 $^{\circ}$ C
Excitation recommended	5V DC
Excitation maximum	10V DC
Terminal resistance, input	350 \pm 50 Ω
Terminal resistance, output	350 \pm 2 Ω
Insulation resistance	> 2000M Ω @ 50V DC
Compensated temperature range	-10 to +50 $^{\circ}$ C
Operating temperature range	-20 to +70 $^{\circ}$ C



- Material
Nickel plated steel
- Cable
Braided Shield 4-wire round cable with PVC-jacket



DIMENSION (mm)

Rated Capacity	A	B	C	D	E	F
2, 5kgf	60	50	13	16	10	M6 x 1.0
10, 20kgf	70	52	13	18	13	M6 x 1.0