

FEATURE

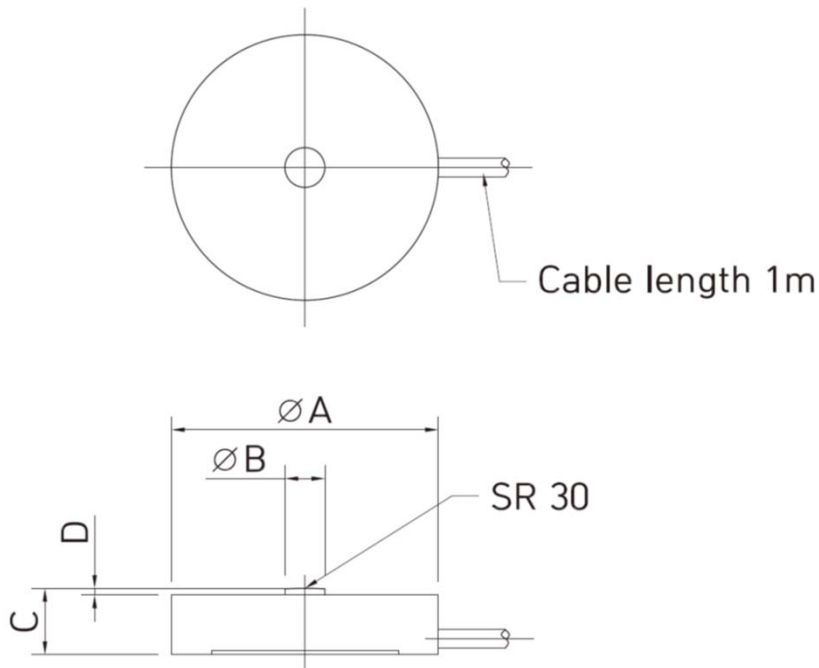
- . 소형 압축 로드셀
- . 협소한 공간에 적용

SPECIFICATION

| MODEL | CLMN |
|-------------------------------|------------------------------------|
| Rated capacity (R.C.) | 1, 2, 5, 10, 20, 30, 50, 100 |
| Rated output (R.O.) | About 0.5mV/V, 1.0mV/V (10~100kgf) |
| Zero balance | 0.0 ± 0.1mV/V |
| Combined error | 2.0% R.O. |
| Repeatability | 1.0% R.O. |
| Creep for 30 min | 1.0% R.O. |
| Temp. effect on zero value | 0.5% / °C |
| Temp. effect on output value | 0.5% / °C |
| Excitation Recommended | 5V DC |
| Excitation maximum | 10V DC |
| Terminal resistance, input | 350Ω ± 3.5% |
| Terminal resistance, output | 350Ω ± 3.5% |
| Insulation resistance | > 2000MΩ @ 50V DC |
| Compensated temperature range | -10 to +40°C |
| Operating temperature range | -20 to +80°C |



- Material
- Anodized Aluminum (1~10Kgf)
- Stainless steel (20~100Kgf)
- Cable
- Thin 4-wire cable of 36 AWG standa



DIMENSION (mm)

| Rated Capacity | Ø A | Ø B | C | D |
|--------------------|-----|-----|-----|-----|
| 1, 2, 5, 10, 20kgf | 20 | 3 | 3.5 | 0.5 |
| 30, 50kgf | 20 | 3 | 4 | 0.5 |
| 100kgf | 20 | 3 | 5 | 0.5 |