

### FEATURE

- . Center Hole Type 압축 로드셀
- . 견고한 구조, 고강도 합금강 사용
- . 터널, 교량 등 압력 측정용으로 사용

### SPECIFICATION

MODEL	CWW1
Rated capacity (R.C.)	50, 100, 200, 500 kgf 1, 2, 3, 5, 10tf
Rated output (R.O.)	1.5 mV/V $\pm$ 0.4%
Zero balance	$\pm$ 0.5% R.O.
Combined error	1.0% R.O.
Repeatability	0.5% R.O.
Creep for 30 min	0.05% R.O.
Temp. effect on zero value	0.1% / 10 $^{\circ}$ C
Temp. effect on output value	0.05% / 10 $^{\circ}$ C
Excitation maximum	10V DC
Terminal resistance, input	700 $\pm$ 10 $\Omega$
Terminal resistance, output	700 $\pm$ 5 $\Omega$
Insulation resistance	> 2000M $\Omega$ @ 50V DC
Compensated temperature range	-10 to +60 $^{\circ}$ C
Operating temperature range	-20 to +70 $^{\circ}$ C

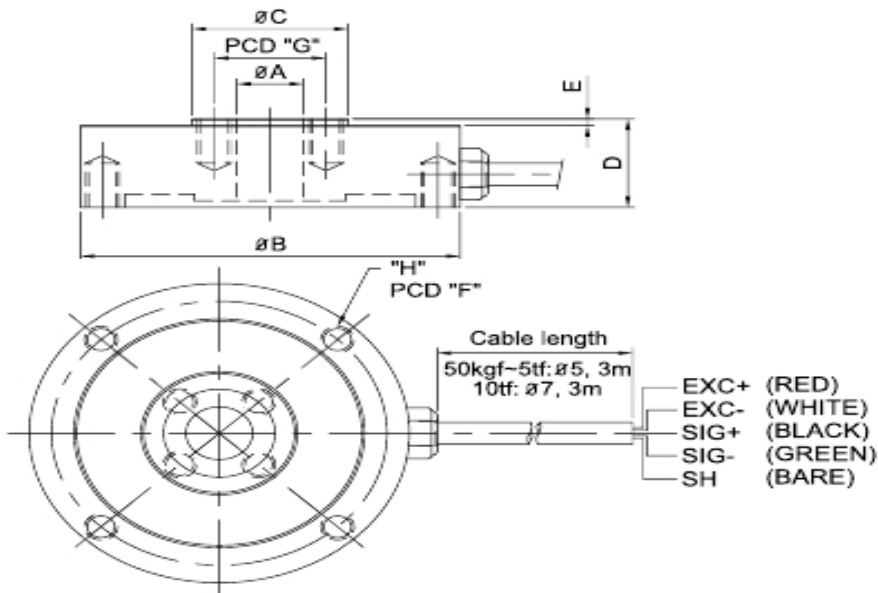


#### - Cable

Braided Shield 4-wire round cable with PVC-jacket

50kgf~5tf :  $\phi$  5mm, 4core 3m

10tf :  $\phi$  7mm, 4core 3m



### DIMENSION (mm)

Rated Capacity	$\phi A$	$\phi B$	$\phi C$	D	E	F	G	H
50, 100, 200, 500kgf	10	55	22	15	2	48	16	2 $\times$ 4-M4DP6
1, 2, 3, 5tf	12	68	28	20	1.5	60	20	2 $\times$ 4-M4DP10
10tf	50	148	80	37	5	132	35	2 $\times$ 6-M8DP15