

FEATURE

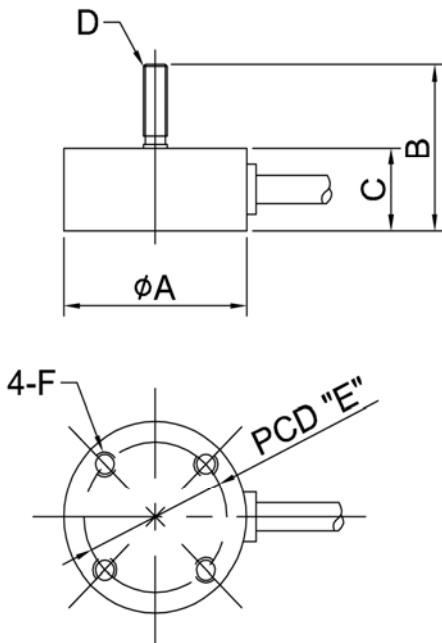
- . 소형 압축 & 인장 로드셀
- . 방진, 방수등급: IP65

SPECIFICATION

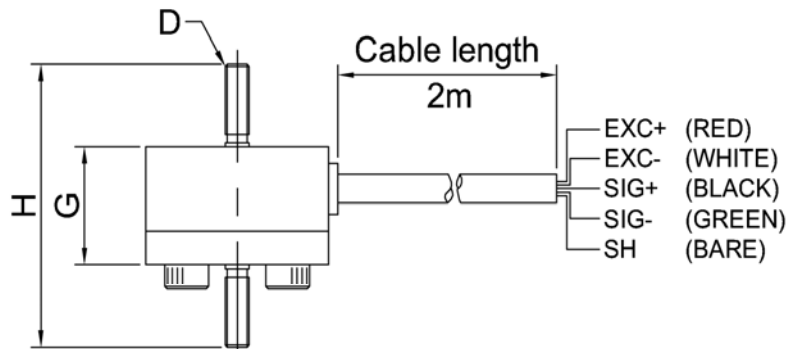
MODEL	CUM
Rated capacity (R.C.)	1, 2, 5, 10, 20, 50, 100, 200 kgf
Rated output (R.O.)	0.7mV/V to 1.2 mV/V
Zero balance	± 2% R.O.
Combined error	0.1% R.O.
Repeatability	0.1% R.O.
Creep for 30 min	0.05% R.O.
Temp. effect on zero value	0.05% / 10°C
Temp. effect on output value	0.1% / 10°C
Excitation maximum	5V DC
Terminal resistance, input	350 ± 30Ω
Terminal resistance, output	350 ± 2Ω
Insulation resistance	> 2000MΩ @ 50V DC
Compensated temperature range	-10 to +50°C
Operating temperature range	-10 to +60°C



- Material
Stainless steel
- Cable
Braided Shield 4-wire round cable with PVC-jacket



TENSION PLATE (OPTION)



DIMENSION (mm)

Rated Capacity	φA	B	C	D	E	F	G	H
1, 2, 5kgf	23	20	10	M3 x 0.5	18	M3 DP5	14	34
10, 20, 50, 100, 200kgf	27	21	11	M6 x 1.0	22	M3 DP5	17	37